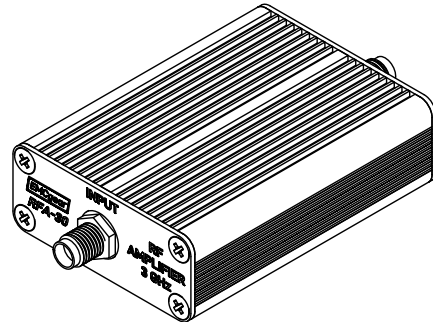


RF amplifier – 1 MHz to 3 GHz, 20 dB

Features

- Wide frequency range from 1 MHz up to 3 GHz
- Universal usage as near field probe preamplifier, general purpose or measurement preamplifier, power amplifier for immunity testing, etc.
- Very good gain flatness combined with high output power of 100 mW, both available in entire frequency range
- Small and portable design, powered from USB
- Downloadable compensation data



Product description

EMCgear RF amplifier RFA-30 provides excellent parameters within entire frequency range 1 MHz to 3 GHz. Very stable gain characteristics allows its usage as measurement amplifier. High output power in pocket size offers application in field of RF transmitters as RF power amplifier. Amplifier output can directly drive antennas or other RF stages.

Combination with EMCgear Near field probe set RF amplifier significantly increases resolution of near field probes and makes analysis of weak signals much easier.

Technical parameters

Input / output impedance	50 Ohm
Input / output terminal	SMA female
Operating frequency range	1 MHz to 3 GHz
Gain	Typ. 20 dB
Input power	Max. 16 dBm
Output power (1dB compression point)	Typ. 20 dBm/ 100 mW
Noise figure	Typ. 3,4 dB
Power supply terminal	Mini USB socket
Current consumption	Typ. 70 mA

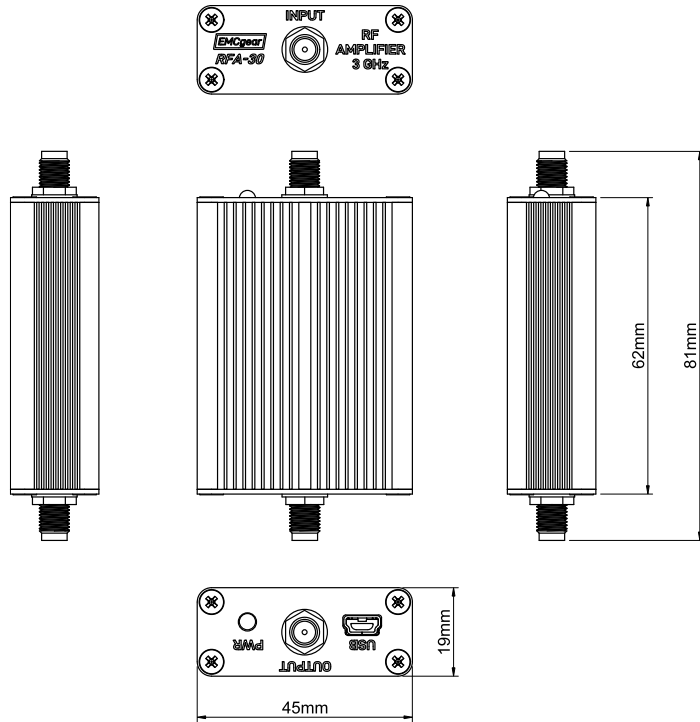
Scope of delivery

RF amplifier, 1 MHz to 3 GHz, 20 dB	RFA-30
USB cable, USB A to Mini USB, 1 m	-
Transport box 240x200x55 mm (optional)	-
Compensation data (downloadable)	-

Warranty

2-year manufacturer warranty

Mechanical dimensions
RF amplifier (RFA-30)



Optional accessories

Description	Order code
SMA to BNC cable, RG174, length 0,5 / 1 / 2 m	C-SABCxx174
SMA to SMA cable, RG174, length 0,5 / 1 / 2 m	C-SASAxx174
SMA to SMB cable, RG174, length 0,5 / 1 / 2 m	C-SASBxx174
RF attenuator, SMA, 3 / 6 / 10 / 20 / 30 / 40 dB	RFAT-xx
RF attenuator kit, SMA, 3 to 40 dB, 6 pcs.	RFAT-K1



SMA to BNC cable, RG174
C-SABCxx174



RF attenuator kit, SMA, 3 to 40 dB, 6 pcs.
RFAT-K1

Frequency characteristics

